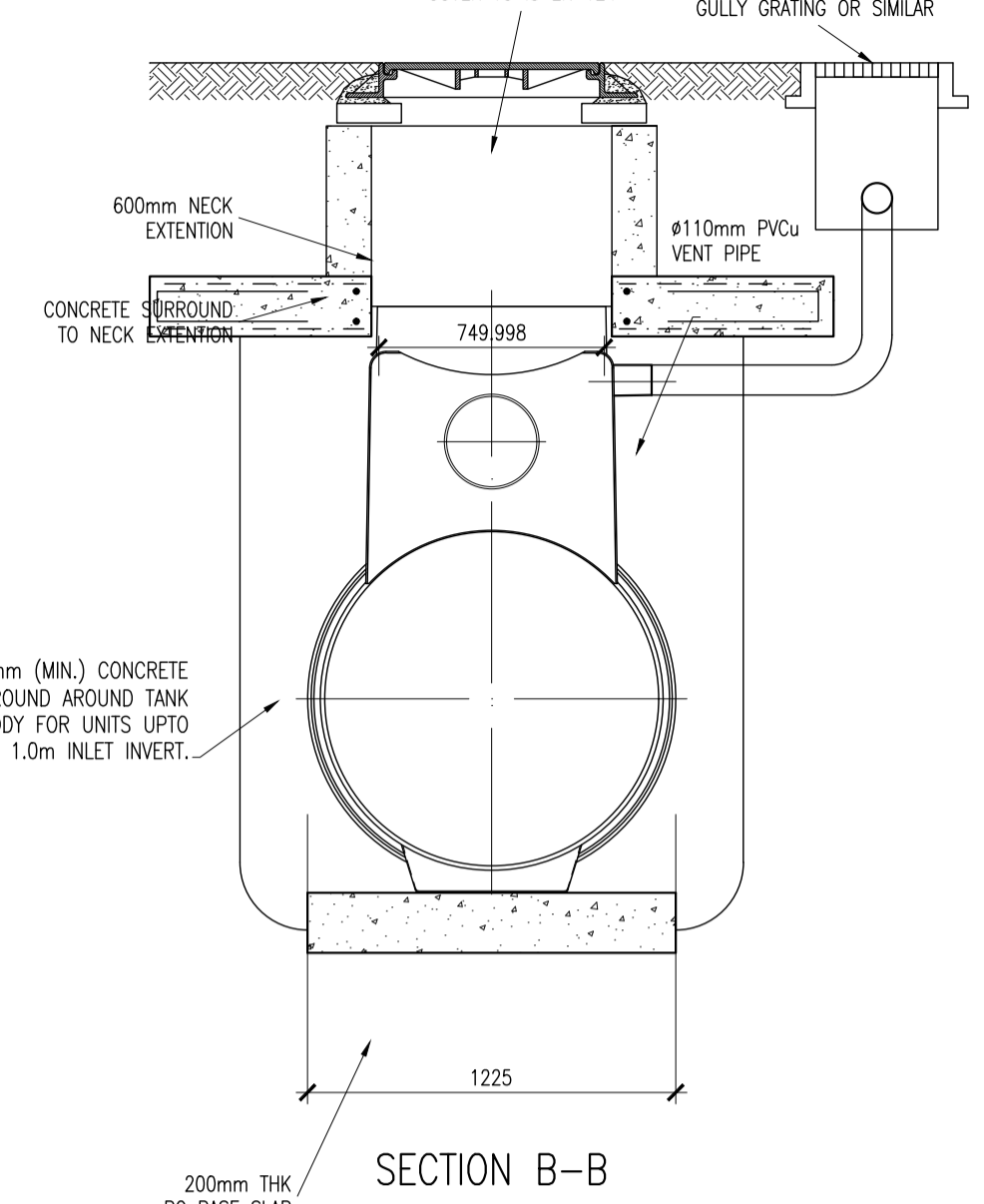
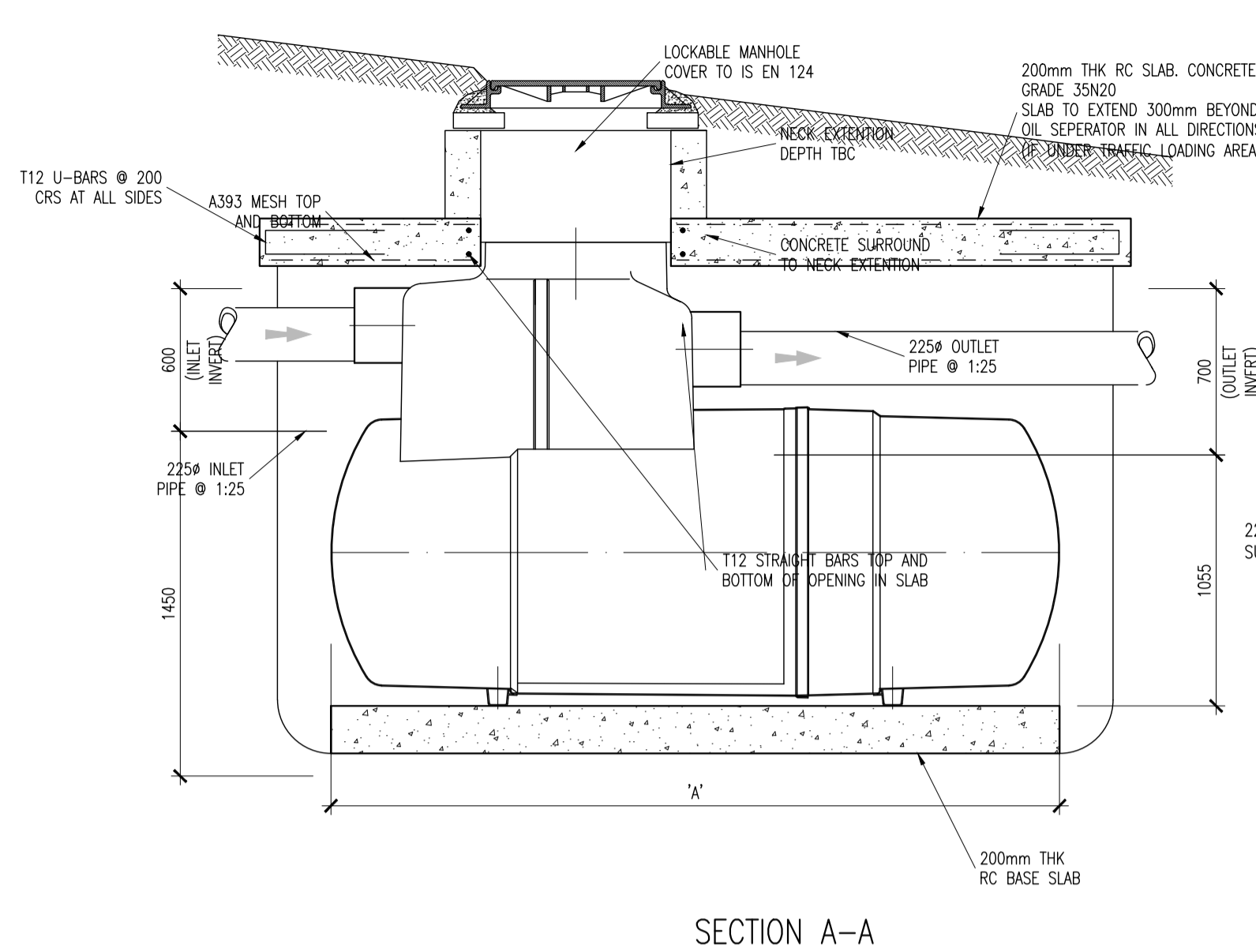
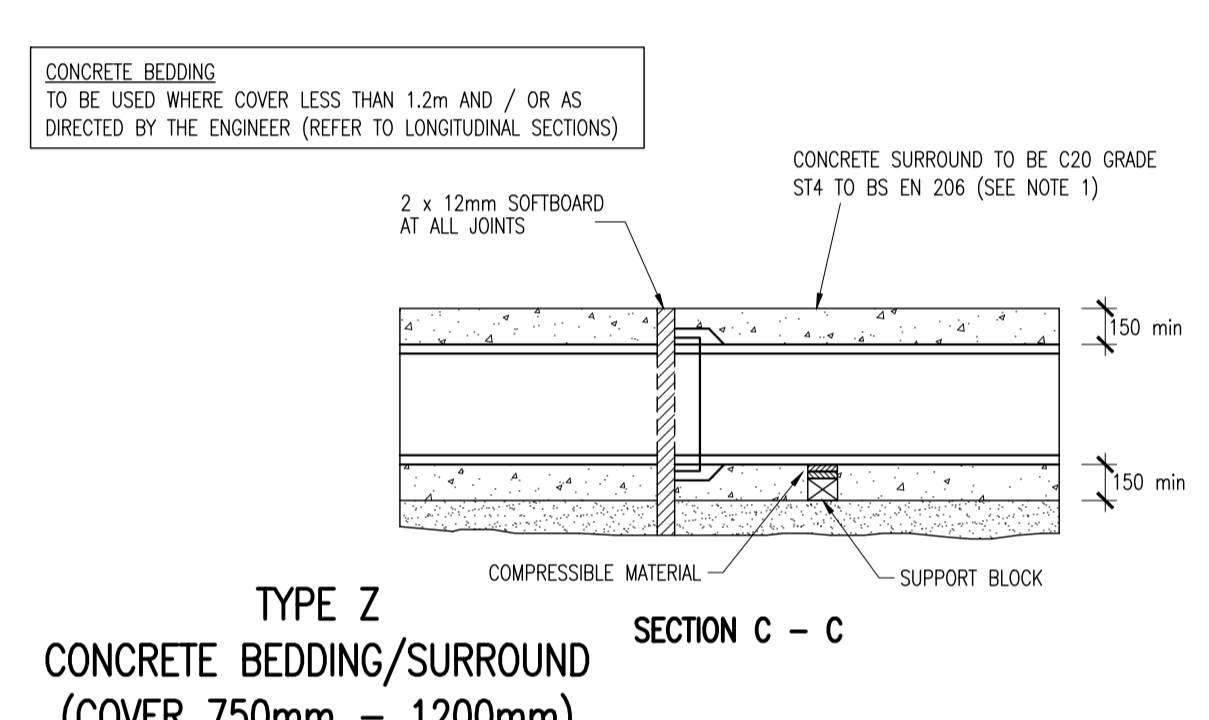
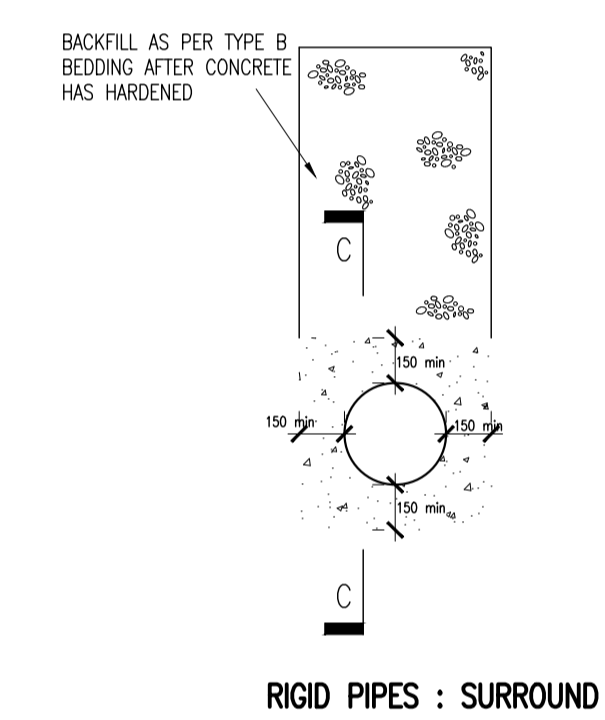
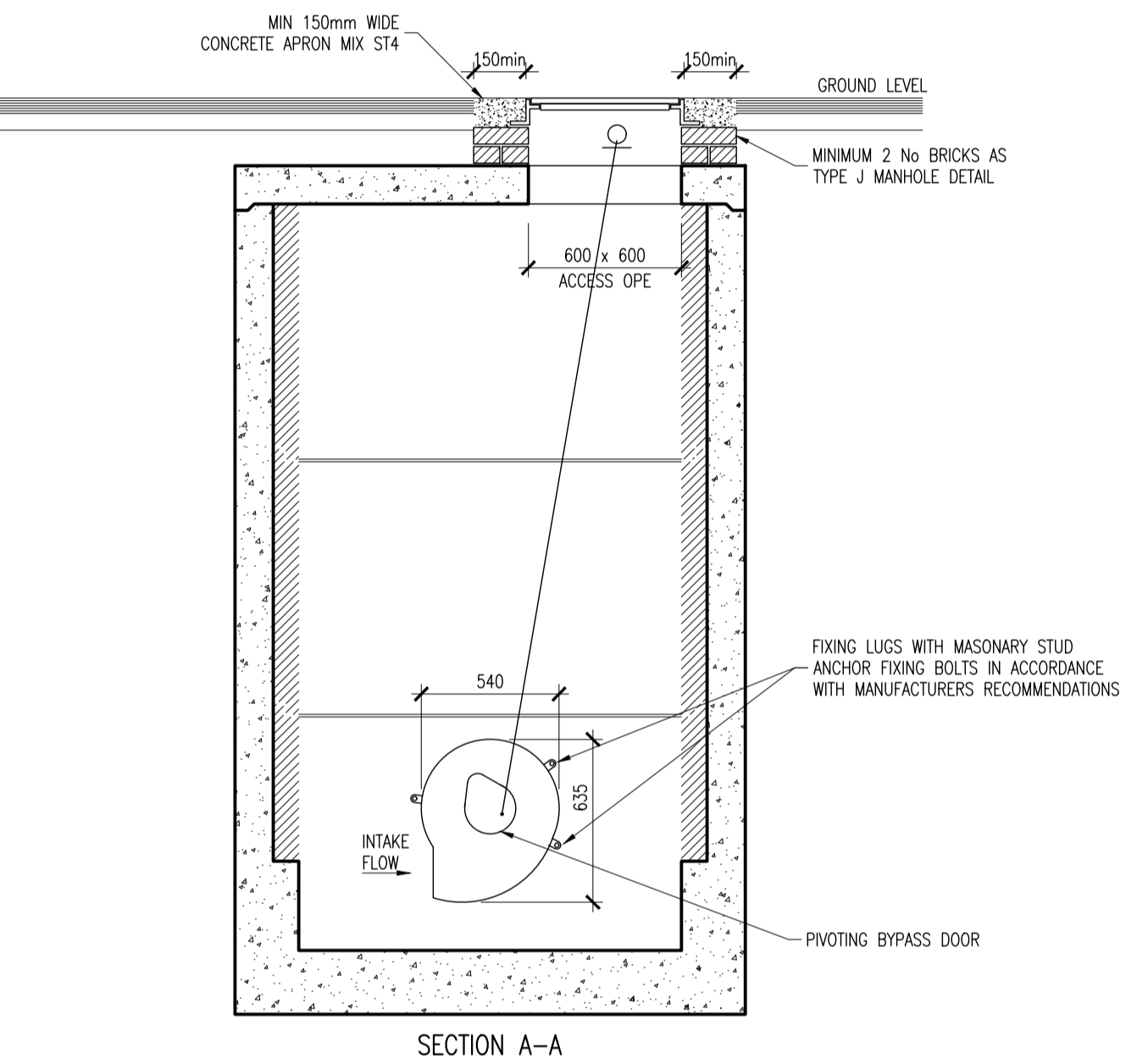


DIMENSIONS

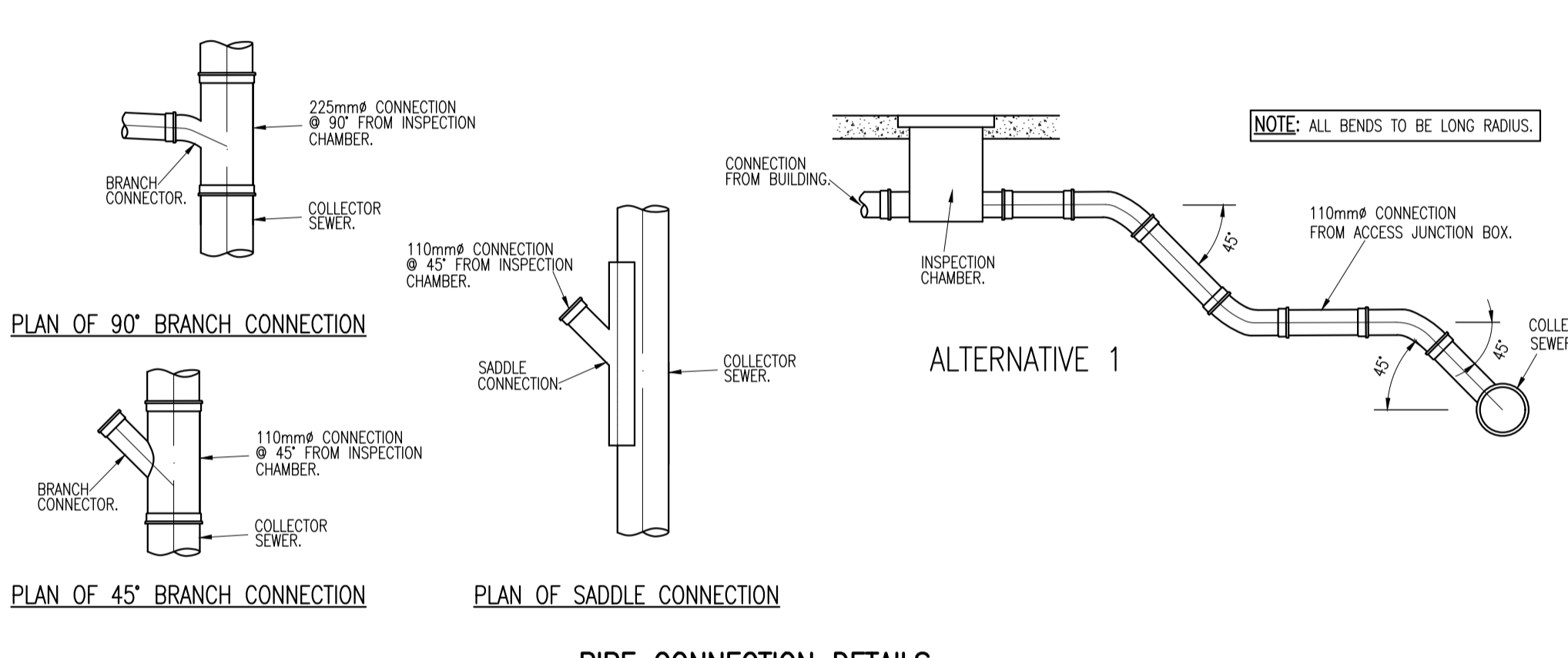
UNIT REF No.	NOMINAL FLOW	LENGTH	DIAMETER	STD. PIPE#	APPROX. EMPTY WEIGHT (KG)	FALL ACROSS UNIT
NSBP006	6 L/S	1700	1350	160	160	100
NSBE015	15 L/S	2947	1220	315	240	100
NSBE040	40 L/S	3230	1920	500	240	100



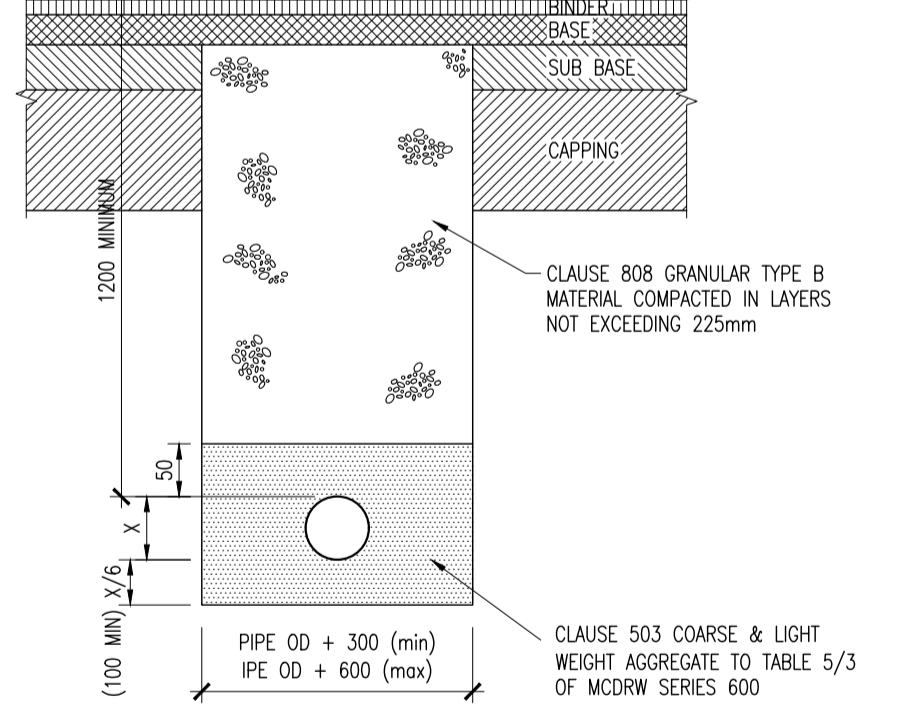
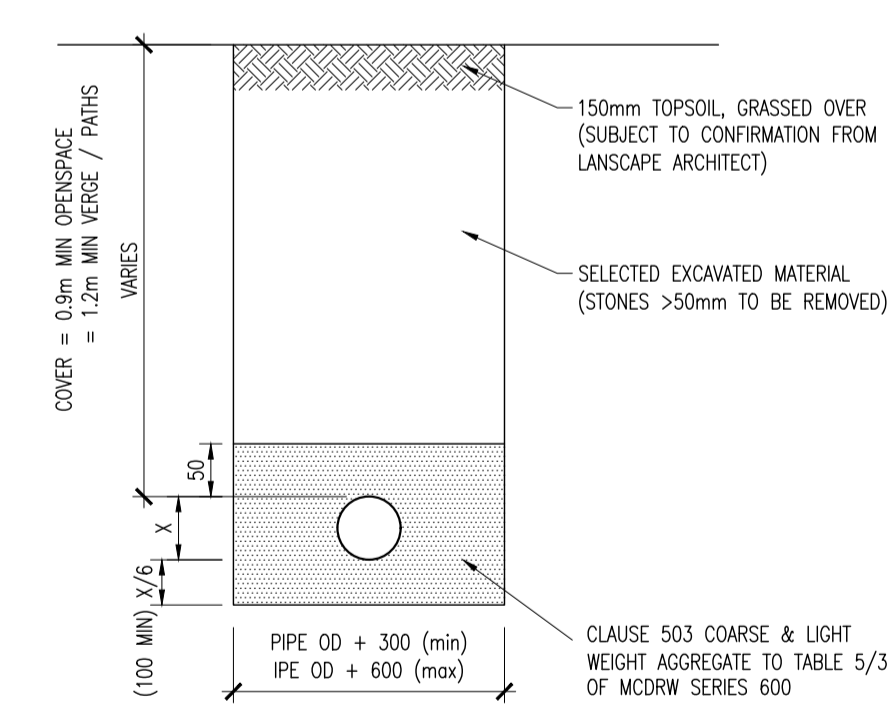
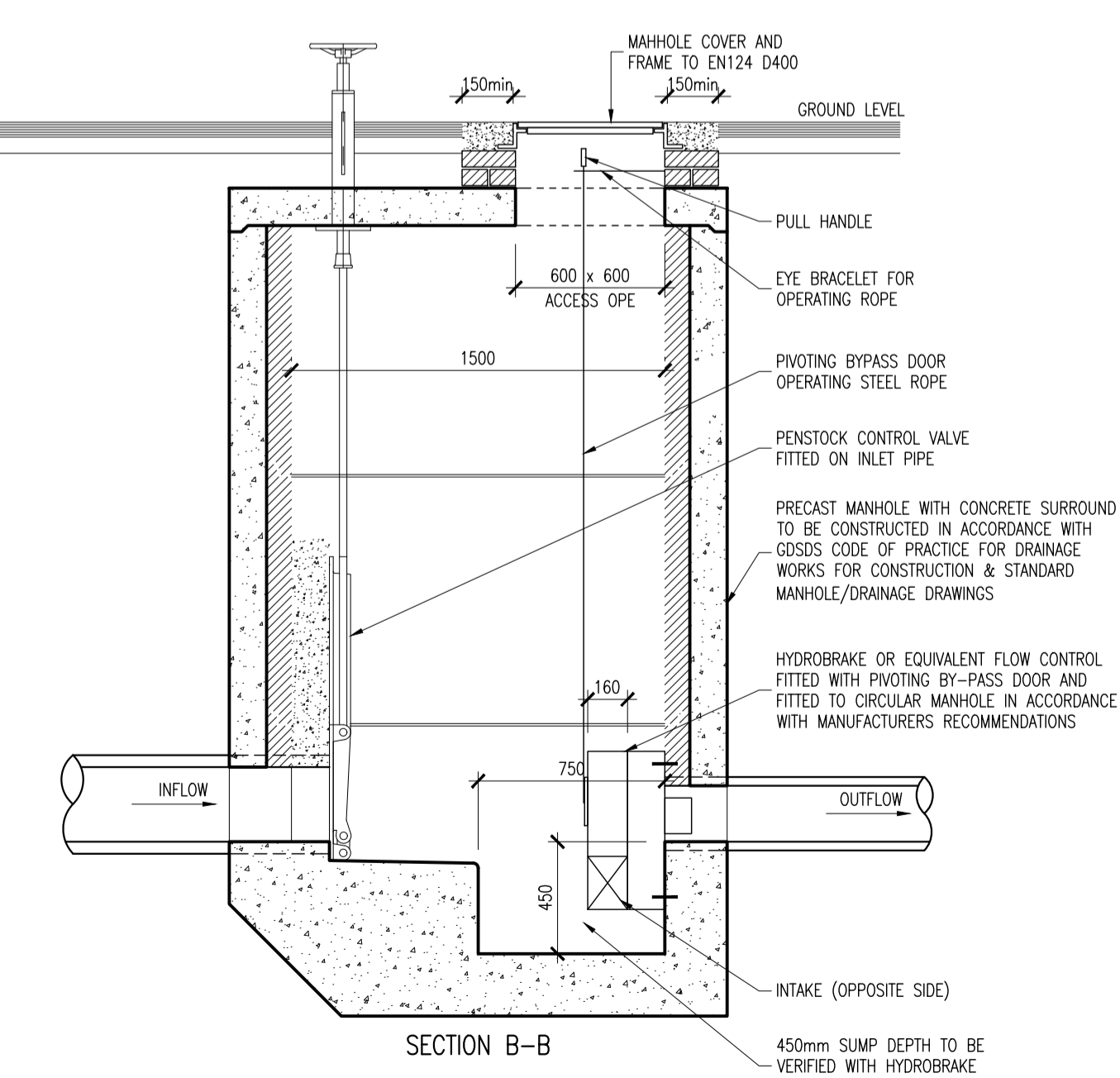
PETROL INTERCEPTOR DETAIL
SCALE 1:25



TYPE Z CONCRETE BEDDING/SURROUND (COVER 750mm - 1200mm)

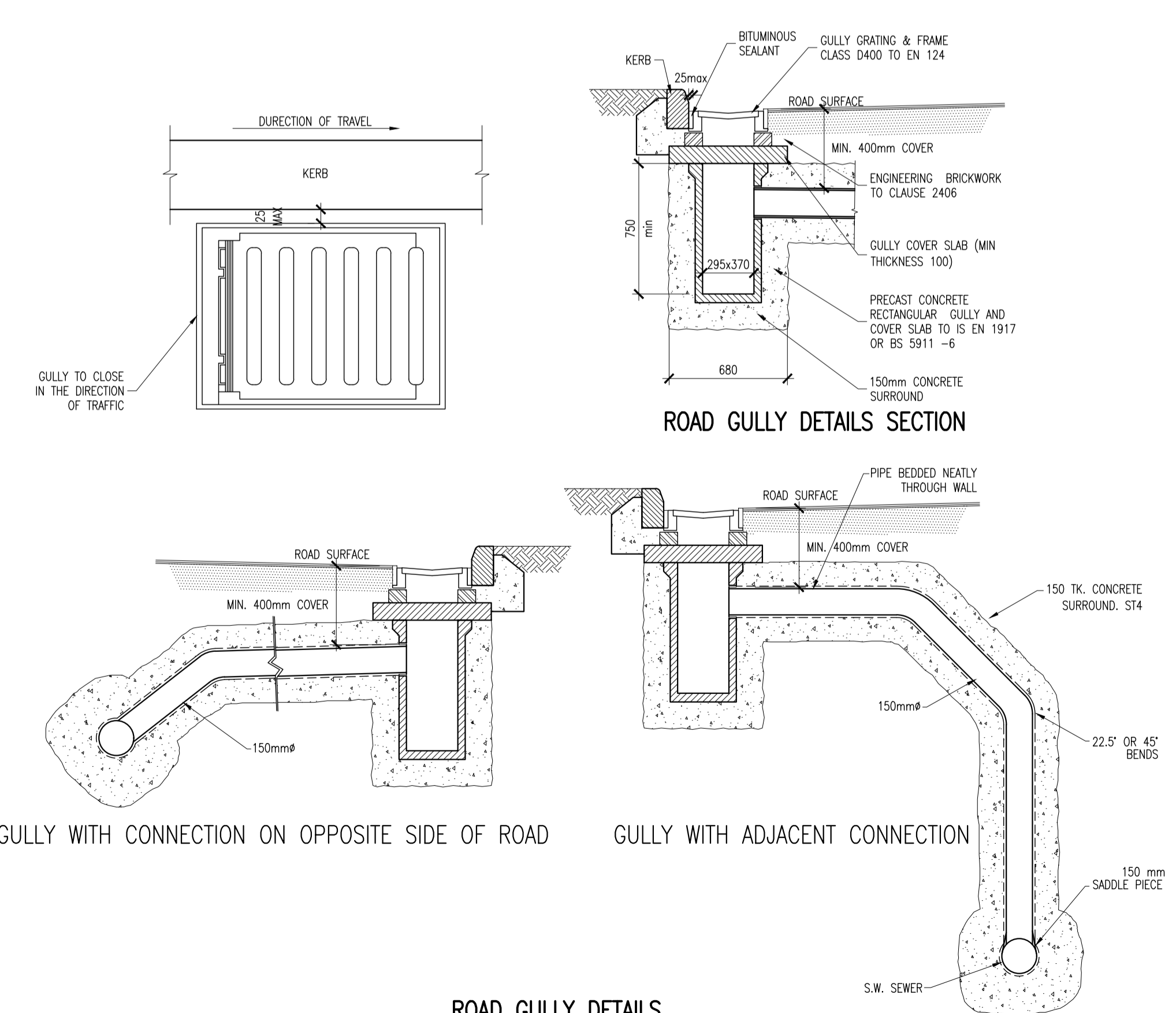


PIPE CONNECTION DETAILS
N/S



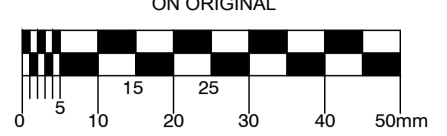
TYPE S (COVER > 1.2 METRES TO CROWN)

PIPE BEDDING DETAILS
SCALE 1:25



ROAD GULLY DETAILS

© COPYRIGHT OF THIS DRAWING IS RESERVED BY DBFL CONSULTING ENGINEERS. NO PART SHALL BE REPRODUCED OR TRANSMITTED WITHOUT THEIR WRITTEN PERMISSION.



- NOTES:**
- ALL WORKS TO BE CONSTRUCTED IN ACCORDANCE WITH NRA SPECIFICATION FOR ROAD WORKS U.N.O.
 - ALL REINFORCED CONCRETE ON THIS DRAWING SHALL BE U.N.O.1: 35N20 COVER = 50mm MIN
 - SURFACE FINISHES FOR CONCRETE:
 - CLASS F1 FOR ALL CONCRETE 100mm OR MORE BELOW GROUND LEVEL.
 - CLASS F3 FOR ALL EXPOSED CONCRETE ABOVE 100mm BELOW GROUND LEVEL.
 - ALL EXPOSED CORNERS ON CONCRETE SHALL BE CHAMFERED WITH 25mm x 25mm CHAMFERS.
 - ALL STRUCTURAL CONCRETE (HEADWALLS, RC MANHOLES, PETROL INTERCEPTOR SLABS) TO RECEIVE MC DUR 1680 (OR SIMILAR APPROVED TAR MODIFIED EPOXY RESIN) TO ALL BURIED SURFACES, TO FINISH 100mm BELOW GROUND LEVEL.
 - ALL SEWERS SHALL BE PRESSURE TESTED PRIOR TO BACKFILLING.
 - RIGID PIPES SHALL MEAN CAST OR SPUN IRON, CONCRETE, ASBESTOS CEMENT OR CLAY.
 - CLASS D400 MANHOLE COVER FRAMES TO BE 150mm DEEP IN ROADS AND 100mm DEEP IN FOOTPATHS AND GREEN AREAS.
 - ALL AGGREGATES PROPOSED FOR USE ON THIS SCHEME SHALL MEET FULLY THE REQUIREMENTS OF THE NRA SPECIFICATION FOR ROAD WORKS AND IN ADDITION THE REQUIREMENTS STATED IN STANDARD RECOMMENDATION S.R. 21:2014 GUIDANCE ON THE USE OF IS: EN 13242:2002 +A1:2007-AGGREGATES FOR UNBOUND AND HYDRAULICALLY BOUND MATERIALS FOR USE IN CIVIL ENGINEERING WORK AND ROAD CONSTRUCTION.
 - ALL FOUL SEWERS, MANHOLES, AND CONNECTIONS TO BE CONSTRUCTED IN ACCORDANCE WITH IRISH WATER CODE OF PRACTICE AND STANDARD DETAILS.
 - ALL SURFACE WATER SEWERS, MANHOLES, AND CONNECTIONS TO BE CONSTRUCTED IN ACCORDANCE WITH THE GRATER DUBLIN REGIONAL CODE OF PRACTICE FOR DRAINAGE WORKS.

REV	DATE	DESCRIPTION	BY	CHKD
PLANNING				
DESIGNED	NGC	PREPARED	PJC	
DATE	SEP 2019	CHECKED	DJR	

DBFL Dublin Office: Ormrod House, Upper Ormrod Quay, Dublin 7, Ireland. PHONE +353 1 400 4000 FAX +353 1 400 4050

Waterford Office: Unit 2, The Chandlery, 1-2 O'Connell Street, Waterford, Ireland. PHONE +353 51 308 500 FAX +353 51 844 913

DBFL Consulting Engineers email: info@dbfl.ie site: www.dbfl.ie

PROJECT
LANDS AT NEWCASTLE, SOUTH DUBLIN

DRG. TITLE
TYPICAL SW DRAINAGE DETAILS SHEET 2

ARCHITECT
MOLA

SCALE	AS SHOWN @A1	FILE REF.	170024-3015
DRG. NO.	170024-3016		